

PRODUCT INFO | FIRE CURTAINS

## FIRE CURTAIN FM-1/2E

### WHAT THIS UNIT IS USED FOR:

*The Colt Fire Curtain FM-1/2E is a certified automatic fire curtain with a CE mark, which prevents the breakthrough of flames between two parts of a building. In case of fire, the FM-1 curtain forms a temporary barrier that increases the likelihood that people can escape from the building if it is on fire.*

### WHAT THIS UNIT IS USED FOR:

*Fire curtains are used in all types of industrial or commercial buildings such as shopping centres, museums, atria, etc.*

### FEATURES AND BENEFITS:

*The Colt Fire Curtain FM-1 is available in two different versions:*

- 1. A glass filament fabric with a stabilizing PU coating, which meets the temperature resistance classes up to E 60.*
  - 2. A glass filament fabric with a stabilizing PU coating and an additional stainless steel inlay, which fulfils the classes up to E 180 and reduces radiation up to EW 30.*
- The FM-1 can be integrated practically invisibly into the building together with its side guides.*

***Its technical details are described overleaf.***



## Description of the product

Fire Curtain FM-1/2E is an automatic fire curtain which, when activated, rolls down to its final position, preventing the penetration of flames and the spread of fires.

The fabric consists of a glass filament fabric with stainless steel core and a stabilised polyurethane coating.

Headboxes are made of galvanized sheet steel with a closed construction to accommodate the rollers. The lateral roll or rod side guides provide the connection to the building structure.

The weight profile ensures that the curtain closes reliably and stabilises the curtain when it is rolled down. Sliders are attached to the sides of the weight profile to assist with the closing process even if there are air currents. A sprung bottom bar made from extruded aluminium enables a homogeneous closure to the "invisible fire protection" headbox.

There are no visible fixings such as screws, rivets or similar when it is installed.

The curtain may be polyester powder coated in all types of RAL colours.

The underside of the headbox can be opened over the entire length of the unit for inspection purposes, thus allowing easy access to all components for quick and time-saving repairs.

A compact unit with minimal dimensions and high fire resistance at a low weight.

Time and cost saving installation to walls or ceilings by the use of prefabricated and delivered modules. The curtain is attached to the building using special brackets.

## FUNCTION

When activated, the curtain moves from its at-rest position with no need for electricity at a controlled speed to the alarm position (using the "Gravity Fail Safe" principle).

The specially-developed roller unit is installed within the winding shaft and contains a PCB with its own intelligence in addition to a DC motor with planetary gears. Essential safety-related functions:

- Speed control 0.15m/s
- Locking unit
- Monitoring of the "rest" position
- Synchronisation of multiple units
- HWD intermediate position
- Adjustment of the bottom bar
- More than 10,000 cycles

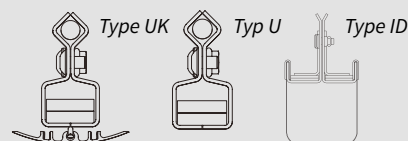
## SKC-SC CONTROL PANEL

The SKC-SC control panel is designed for safe operation of the fire curtain and complies with ISO 21927-9 and BS 8524. There is a power supply which guarantees that the control functions are maintained for at least 72 hours according to the EN 12101-10 standard.

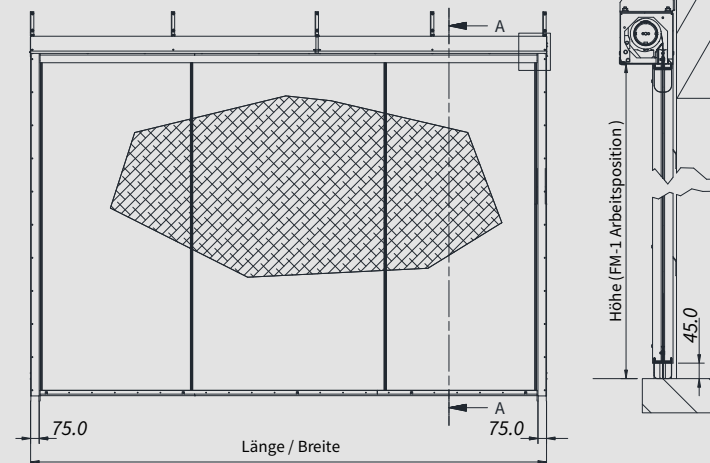
## HOLD-OPEN SYSTEM

Control of the fire curtain is via a hold-open system according to EN 14637 and the DIBt Guideline. Autonomous controls for initiating the closing process via the connected smoke detectors or manual control units. Alarm saving when released.

## BOTTOM BAR



## DIMENSIONS

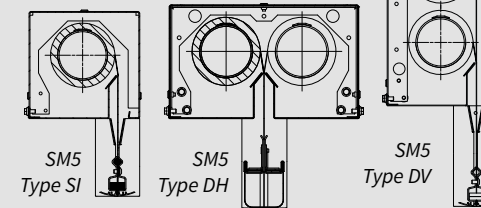


## SIDE GUIDES

Type: FR or FS  
60x75 mm cross-section



## HEADBOX VARIANTS



## HEADBOX DIMENSIONS

| TYPE | WIDTH | HEIGHT | TYPE | WIDTH | HEIGHT | TYPE | WIDTH | HEIGHT |
|------|-------|--------|------|-------|--------|------|-------|--------|
| SI-N | 155   | 150    | DH-N | 250   | 150    | DV-N | 155   | 250    |
| SI-L | 180   | 185    | DH-L | 300   | 185    | DV-L | 180   | 300    |

## DIMENSIONS (maximum unit sizes in mm)

| Certification   Classification according to EN 13501-2 |              | E 60  |        | E 90 - EW 20 |        | E 180 - EW 20 |        | EW 30 |        |
|--|--------------|-------|--------|--------------|--------|---------------|--------|-------|--------|
| Unit   | Housing type | Width | Height | Width        | Height | Width         | Height | Width | Height |
| Single unit  | SI-N         | 4000  | 3750   | 4000         | 2750   | 3000          | 2750   | 4000  | 2750   |
| Single unit  | SI-L         | 4000  | 6000   | 4000         | 5500   | 3000          | 5000   | 3500  | 5000   |
| Multiple units   | DH+DV-N      | 9050  | 3750   | 9300         | 2750   | 9300          | 2750   | 9450  | 2000   |
| Multiple units   | DH+DV-L      | 8700  | 6000   | 8800         | 5500   | 8800          | 5500   | 5000  | 3500   |

## KEY FEATURES

Certified **Applus<sup>+</sup>**

EN 16034 + EN 13241 **CE**

Furnace test to  
**EN 1634-1**

Fire resistance + integrity:  
**E 60, E 90, E 120, E 180**

Radiation limitation  
**EW 20, EW 30**

cloth Glass fibre fabric with stainless steel inlay and PU coating  
**1200°C**

Materials class: **A2-s1, d0**  
acc. to EN 13501-1

Reliability test to  
**DIN 4102-18**  
C2= 10,000  
operational cycles

**invisible installation**  
roller or rod side guides

Various headbox sizes and options

**3 different bottom bars**

Manufactured to  
**ISO 9001:2015**

